



# tenías

**Brochure**

*of front loader and implements  
for models*



# LAMBORGHINI

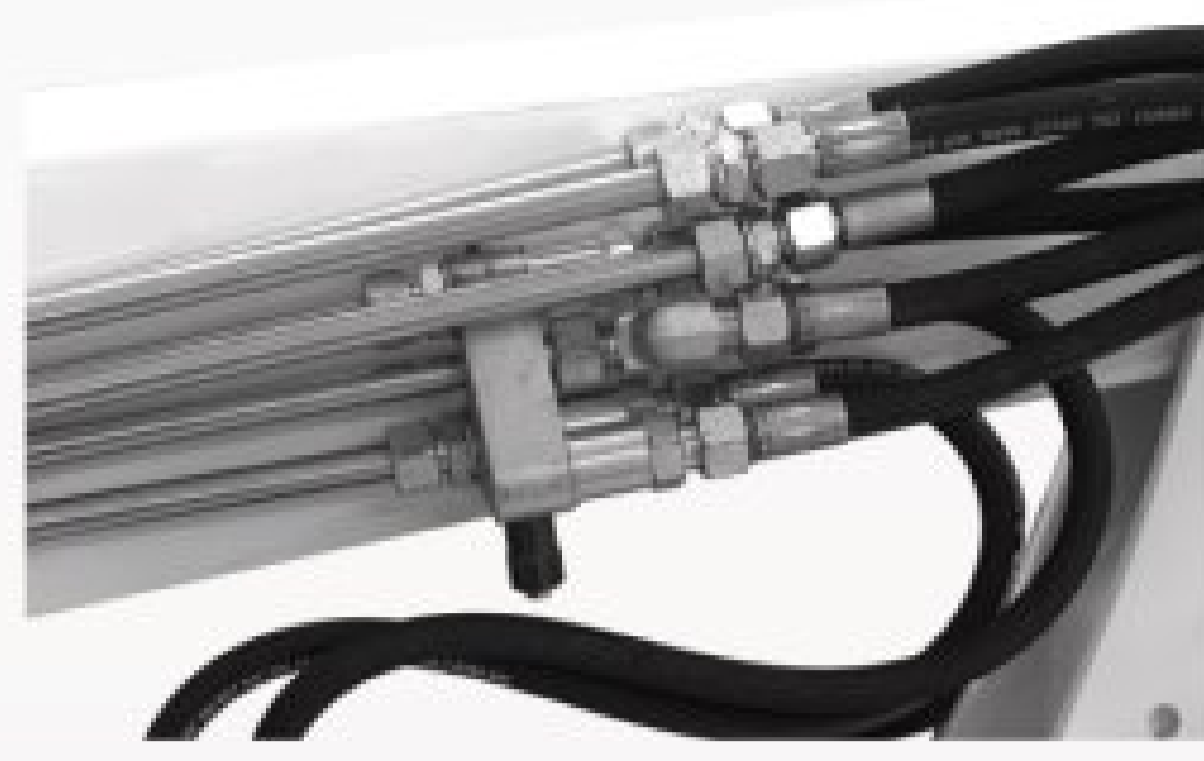


**DRP System ®  
AUTOMATIC LOADER HITCH**



It allows secure and simple loader coupling and uncoupling.

**SAFETY VALVES**

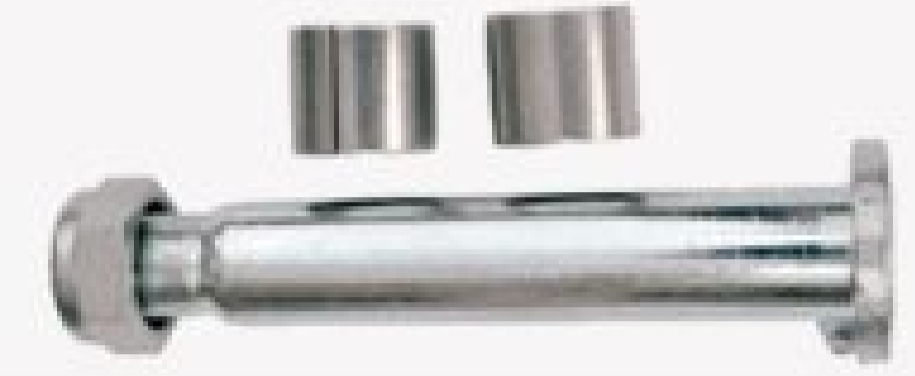


It regulates the pressure of hydraulics cylinders avoiding over pressures and unexpected breakages.

**DETAIL INSIDE ARM**



**AUTO LUBRICANT BUSHINGS  
IN EACH JOINT**



Bushings in each joint, with greasers in the most problematic areas, ensure the sustainability of the whole.

**DRC System ®  
AUTOMATIC HITCH FOR IMPLEMENTS**



Only few seconds are needed to hitch or unhitch implements

**DR2B System ® / DR4B System ®**



Fast hydraulic plugging with flat tips allowing more cleanliness and plugging with residual pressure.



**OPCIONES**

**AH System ®  
SHOCK ABSORBER**



A good confort is obtained for the user as well as protection for all components during transport.

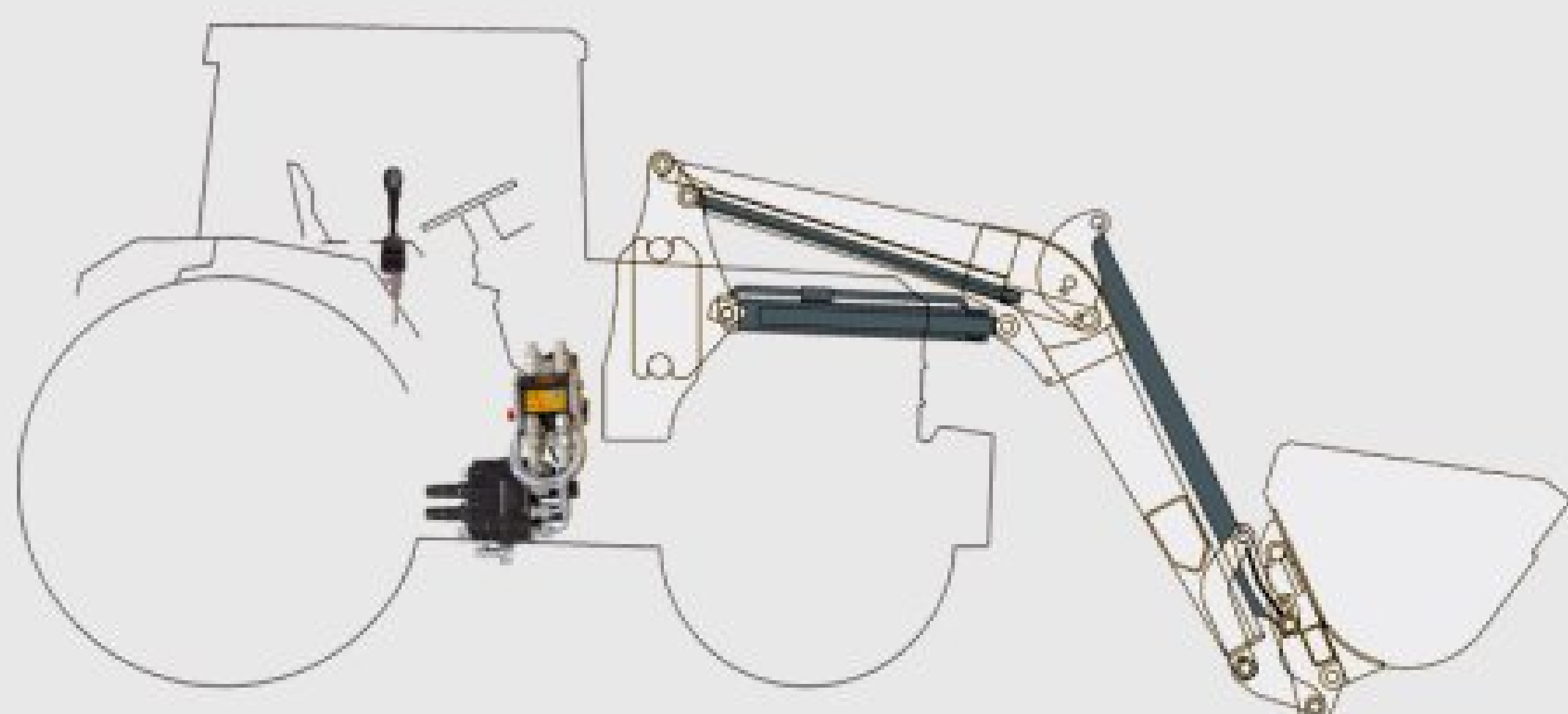


**SERVICE LINE FOR HYDRAULIC  
IMPLEMENTS**

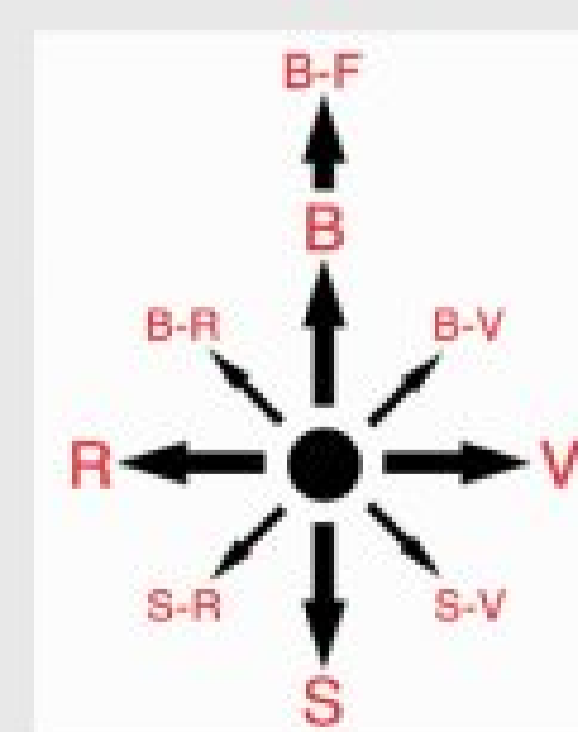


**MS System ®  
JOYSTICK**

*Operating plan for joystick*



Operated from a joystick that allows two moves simultaneously.



**PAINT FINISH IN  
DIFFERENT COLORS**



# serie evolution



**SUBFRAME DESIGNED FOR EACH TRACTOR MODEL**

It's the loader main part and the basis of its proper functioning. It consists of a set of different pieces distributed from the front of the tractor to its back axle, obtaining an uniform repartition of the efforts.

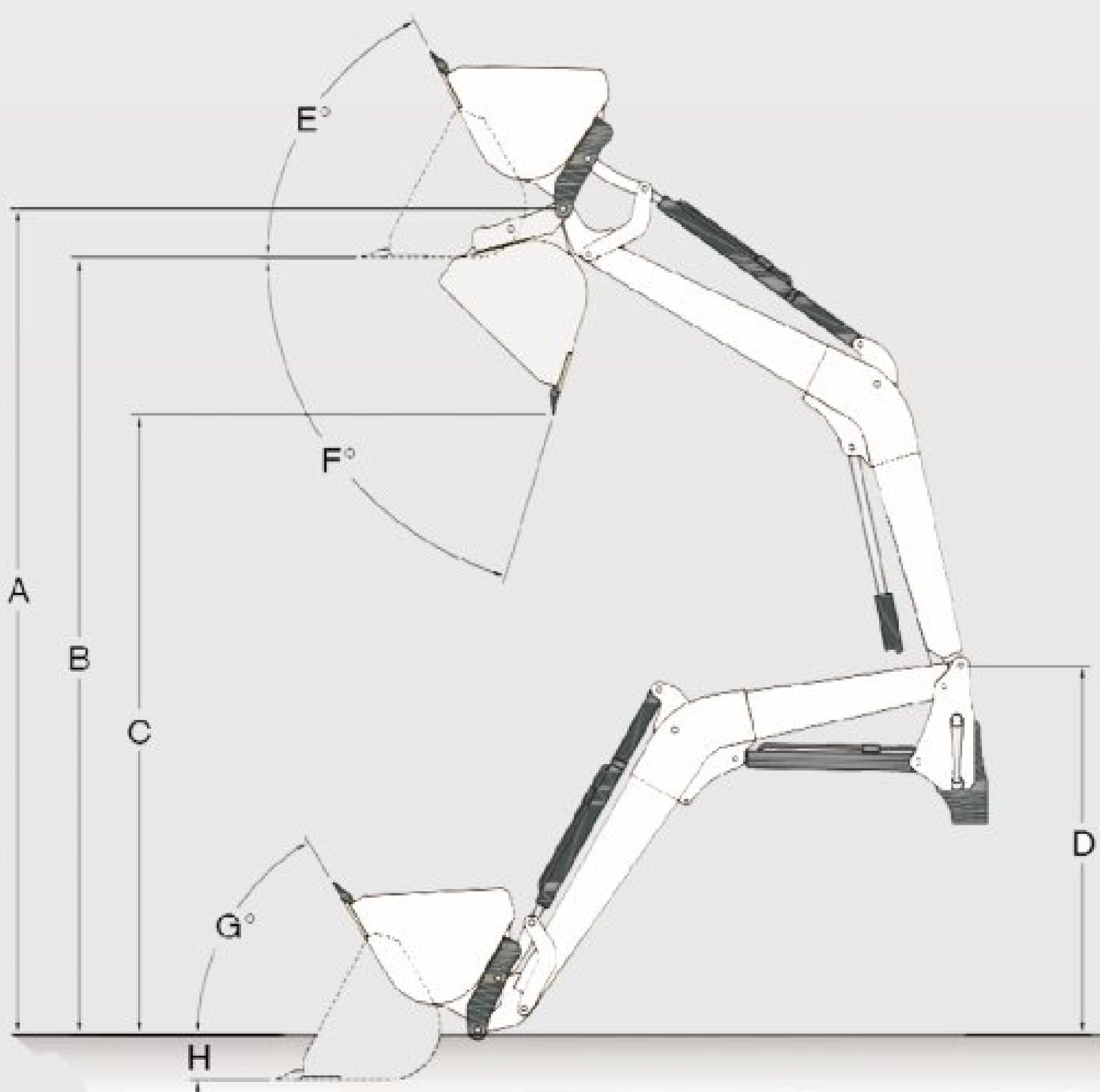
model	te7	te8	te9	te10	te20	te30	te40
-------	-----	-----	-----	------	------	------	------

**CONTAIN**

- Adaptation
- Arms
- Hydraulic installation (Electrovalve, Distributor or tractor remote control)
- All elements for work (Cylinders, Hoses, Connections, .. etc.)
- DRB standard.

**DON'T CONTAIN**

- Buckets
- Forks



NOTE: Mesures given can vary according to the tractor model.

Measurements were taken at 190 bar and with a weight placed on pallet fork.

I Start-up power  
J Payload at 2,00 mts.  
K At max. height

MOD. PALA	A	B	C	D	E	F	G	H	I	J	K
te6	-	-	-	-	-	-	-	-	914 Kgs	-	400 Kgs
te7	2540	2410	1832	1300	55°	78°	49°	149	1024 Kgs	-	724 Kgs
te8	2846	2690	2000	1420	64°	72°	54°	134	1960 Kgs	-	1250 Kgs
te9	3142	2909	2295	1469	64°	75°	57°	211	2044 Kgs	-	1362 Kgs
te10	3720	3484	2887	1706	64°	74°	57°	214	2728 Kgs	2068 Kgs	1628 Kgs
te20	4051	3815	3197	1792	64°	75°	59°	214	2160 Kgs	1824 Kgs	1530 Kgs
te30	4301	4065	3447	1970	62°	74°	57°	214	2858 Kgs	2133 Kgs	1755 Kgs
te40	4564	4327	3708	2140	62°	74°	57°	214	3177 Kgs	2550 Kgs	2215 Kgs



## SILAGE SHEARS



WIDTH (mts)	TEETH	GRIP OPENING (mm)	WEIGHT (Kgs)
1,50	13	805	480
1,75	15	805	528

## STONE BUCKET



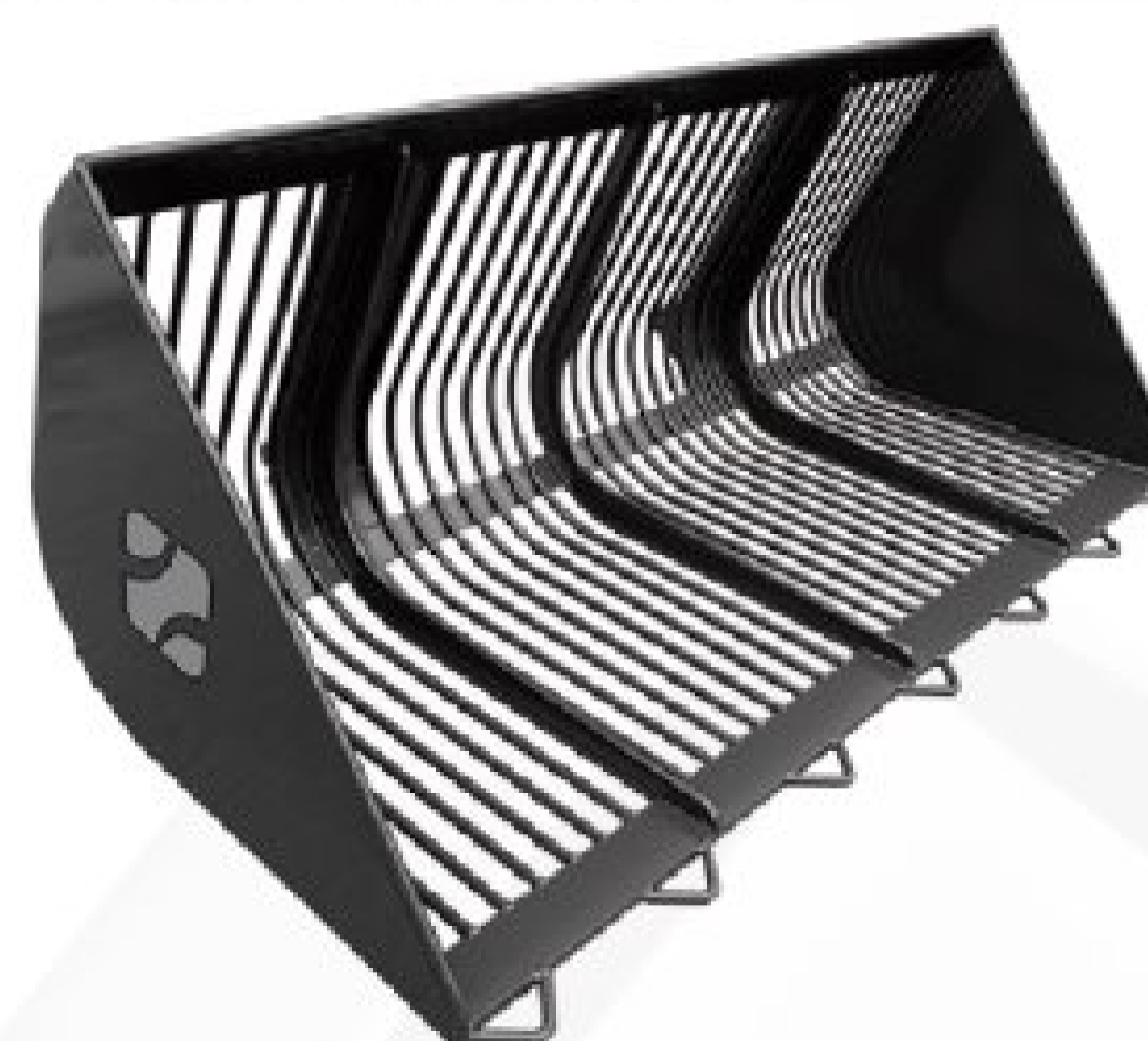
WIDTH (mts)	CAPACITY (liters)	CAPACITY (liters)	WEIGHT
1,75	618	772	284
2,00	707	883	331

## MANURE FORK



WIDTH (mts)	TEETH	TINE LENGTH (mm)	WEIGHT (Kgs)
1,50	8	850	163
1,75	9	850	189
2,00	11	850	210
2,20	11	850	258

## SUGAR BEET BUCKET



WIDTH (mts)	CAPACITY (liters)	CAPACITY (liters)	WEIGHT
2,00	813	1016	251
2,40	988	1235	326

## LOG GRIP



WIDTH (mm)	GRIP OPENING (mm)	CYLINDER INSIDE DIAMETER (mm)	WEIGHT (mm)
1170	930	80	276

## HYDRAULIC MANURE FORK



WIDTH (mts)	TEETH	GRIP OPENING (mm)	WEIGHT (Kgs)
1,50	8	1265	297
1,75	9	1265	330
2,00	11	1265	360
2,20	11	1265	410

## BUCKET 4 IN 1



WIDTH (mts)	CAPACITY (liters)	CAPACITY (liters)	WEIGHT
1,75	468	585	383
2,00	535	668	438

## SILAGE BUCKET "TIBURON"



WIDTH (mts)	CAPACITY (liters)	CAPACITY (liters)	WEIGHT
2,00	1113	1391	520
2,20	1228	1535	542
2,40	1343	1678	570

## ROUND BALES FORK



WIDTH (mm)	WIDTH TEETH (mm)	TEETH	WEIGHT (Kgs)
1172	800	2	101

## SUGAR CANE GRIP



WIDTH (mm)	OUVERTURE PINCE (mm)	GRIP OPENING (mm)	WEIGHT (Kgs)
1195	970	1265	286

### POTATO BUCKET



WIDTH (mts)	CAPACITY (liters)	CAPACITY (liters)	WEIGHT
2,20	1103	1378	363
2,40	1217	1521	396

### STANDARD BUCKET



WIDTH (mts)	CAPACITY (liters)	CAPACITY (liters)	WEIGHT
1,25	353	441	169
1,50	423	528	199
1,75	494	617	218
2,00	564	705	260
2,20	621	776	269
2,40	677	846	295

### PELICAN BUCKET



WIDTH (mts)	TEETH	GRIP OPENING (mm)	WEIGHT (Kgs)
1,50	8	1165	298
1,75	9	1165	320
2,00	11	1165	374
2,20	11	1165	445

### GRAIN BUCKET



WIDTH (mts)	CAPACITY (litros)	CAPACITY (litros)	WEIGHT (Kgs)
1,80	812	1015	277
2,00	903	1128	298
2,20	993	1241	319
2,40	1083	1353	340

High-tip option

### SILAGE BUCKET



WIDTH (mts)	CAPACITY (liters)	CAPACITY (liters)	WEIGHT
2,00	903	1128	484
2,40	1083	1353	566

### SQUARE BALES FORK



WIDTH (mm)	HEIGHT (mm)	TEETH	WEIGHT (Kgs)
1775	1350	5	224

### SLIDING SQUARE BALES FORK



WIDTH (mm)	HEIGHT (mm)	TEETH	WEIGHT (Kgs)
1775	1350	5	327

### SIDE-SHIFT PALET FORK



ALLOWED WEIGHT (Kgs)	TINE LENGTH (mm)	MAX. TINE WIDTH DENT (mm)	WEIGHT (Kgs)
1500	1225	1060	290

Side Dump option

### WRAPPED ROUND BALES GRIP (economic)



WIDTH (mts)	TEETH OPEN (mm)	TEETH CLOSED (mm)	WEIGHT (Kgs)
1,16	2080	70	150

### STANDARD PALET FORK



ALLOWED WEIGHT (Kgs)	TINE LENGTH (mm)	MAX. TINE WIDTH DENT (mm)	WEIGHT (Kgs)
1500	1240	1065	173

### WRAPPED ROUND BALES GRIP



WIDTH (mm)	TEETH OPEN (mm)	TEETH CLOSED (mm)	WEIGHT (Kgs)
1312	1305	2640	282



MODELO DE TRACTOR	serie	MODELO DE PALA						serie 300	OBS.
		te7	te8	te9	te10	te20	te30		
35	R1	●						B000	19
40 2 WD	REKORD			●				B0	7-23
45	R1	●						B000	19
50	R1	●						B000	19
50 2 y 4 WD	REKORD			●				B0	7-23
55	R1	●						B000	19
55 TARGET	CRONO			●				B1	
55 F TARGET	CRONO	●						B00	
56	R2				●			B1	
60 2 y 4 WD	REKORD T2			●				B0	7-23
60 2WD - 4WD	REKORD E2			●				B0	
60 EI 2WD - 4WD	REKORD			●				B0	
65 2 y 4 WD	REKORD T3			●				B0	7-23
65 2WD - 4WD	REKORD E3			●				B0	
65 2WD - 4WD	CRONO			●				B0	
66	R2				●			B1	
66 TARGET	R2			●				B0	
70 2 y 4 WD	REKORD T2			●				B0	7-23
70 2WD - 4WD	REKORD E2			●				B0	
70 F TARGET	CRONO	●						B00	
70 TARGET	CRONO			●				B1	
75 2 y 4 WD	REKORD T3			●				B0	7-23
75 2WD - 4WD	REKORD E3			●				B0	
75	RS			●				B0	4
75 2 y 4 WD	CRONO			●				B0	7-23
75 2WD - 4WD	CRONO			●				B0	
75 T	R3					●		B2	1
75 TB T2	R3			●				B0	1
75,4 2 y 4 WD	REKORD T2			●				B1	
75,4 E 2WD - 4WD	REKORD			●				B1	
75,4 EII 2WD	REKORD			●				B1	7-23
75,4 EII 4WD	REKORD			●				B1	7-23
76	R2			●				B1	
76	R2 T2				●			B1	
80 2 y 4 WD	CRONO T3				●			B1	
80 E3 2WD	CRONO			●				B1	
80 E3 4WD	CRONO			●				B1	
80 TARGET	RF			●				B0	4
80,4	REKORD			●				B1	
80 (ITALIA)	R3					●		B2	
85	R3					●		B2	23
85 EVO	R3				●			B1	23
85	R4						●	B3	1
85 EVO	R3 T3				●			B1	
85 T GS	R3				●			B1	
85 T	R3					●		B2	1
85 TB T3	R3 T3			●				B0	1
85 TB T2	R3			●				B0	1
85 (ITALIA)	R3					●		B2	
86	R2			●				B1	
86	R2 T2				●			B1	
90	RF			●				B0	13
90 E3	RF			●				B0	1-13
90	RS			●				B0	1-13
90	RV			●				B0	
90	RV			●				B0	4-13-42
90	RF T3			●				B0	
90	F. PLUS			●				B0	22-31
90 GS	R2 T3				●			B1	7-23
90 HI PROFILE	R2				●			B1	7-23

MODELO DE TRACTOR	serie	MODELO DE PALA						serie 300	OBS.
		te7	te8	te9	te10	te20	te30		
90 TARGET	R2				●			B1	7-23
90 TARGET	RF			●				B0	4
90.4	STRIKE HD T4i					●		B2	
90 t4i	NITRO R				●			B1	
90 (ITALIA)	R3					●		B2	
95	R3					●		B2	23
95	R4						●	B3	1
95 TARGET	GRAND PRIX						●	B2	
95 T	R3					●		B2	1
95 TB T2	R3			●				B0	1
95 (ITALIA)	R3					●		B2	
100	RF			●				B0	13
100 E3	RF			●				B0	1-13
100	RS			●				B0	1-13
100 EVO	R3 T3				●			B1	7-23
100 TARGET	R6						●	B2	61
100	RF T3			●				B0	
100 GS	R2 T3					●		B1	7-23
100 HI PROFILE	R2					●		B1	7-23
100 T EVO	R3 T3					●		B1	7-23
100 T GS	R3					●		B1	
100 TB EVO	R3 T3					●		B1	23
100	NITRO						●	B3	
100	NITRO				●			B1	7-23
100 t4i	NITRO R				●			B1	
100 (ITALIA)	R3					●		B2	
105	R3					●		B2	
105	R4					●		B2	
105	FORMULA					●		B2	
105	R3					●		B2	
105 T TARGET	R3					●		B1	
105 TB GS-E3	R3					●	●	B1-B2	
105.4	STRIKE HD T4i					●		B2	
110	R4						●	B3	1-22
110 DCR	R6						●	B3	7-23-61
110	R4 T3					●		B1	7-23
110 EVO	R3 T3					●		B1	7-23
110 T EVO	R3 T3					●		B1	7-23
110	NITRO						●	B3	
110	NITRO					●		B1	7-23
110 t4i	NITRO R					●		B1	
115	R5						●	B3	1-22
115	FORMULA						●	B4	
115	R6						●	B3	7-23
115.4	STRIKE HD T4i					●		B2	
120 TARGET	R6						●	B2	7-23-61
120 t4i	NITRO R					●		B1	
130	R6						●		61
130	R5						●	B3	1-22
130	R6 T3						●	B3	7-23
130	R5 T2						●	B3	7-23
135 TURBO	FORMULA						●	B4	
140 EVO	R5 T3						●	B3	7-23
140	R6 T3						●	B3	
140	SPARK T4i						●	B4	
150	CHAMPION							●	B4
150	R6						●	B4	61
150	SPARK T4i						●	B4	
150,7	R6						●	B4	61
160	R6 T3						●	B4	

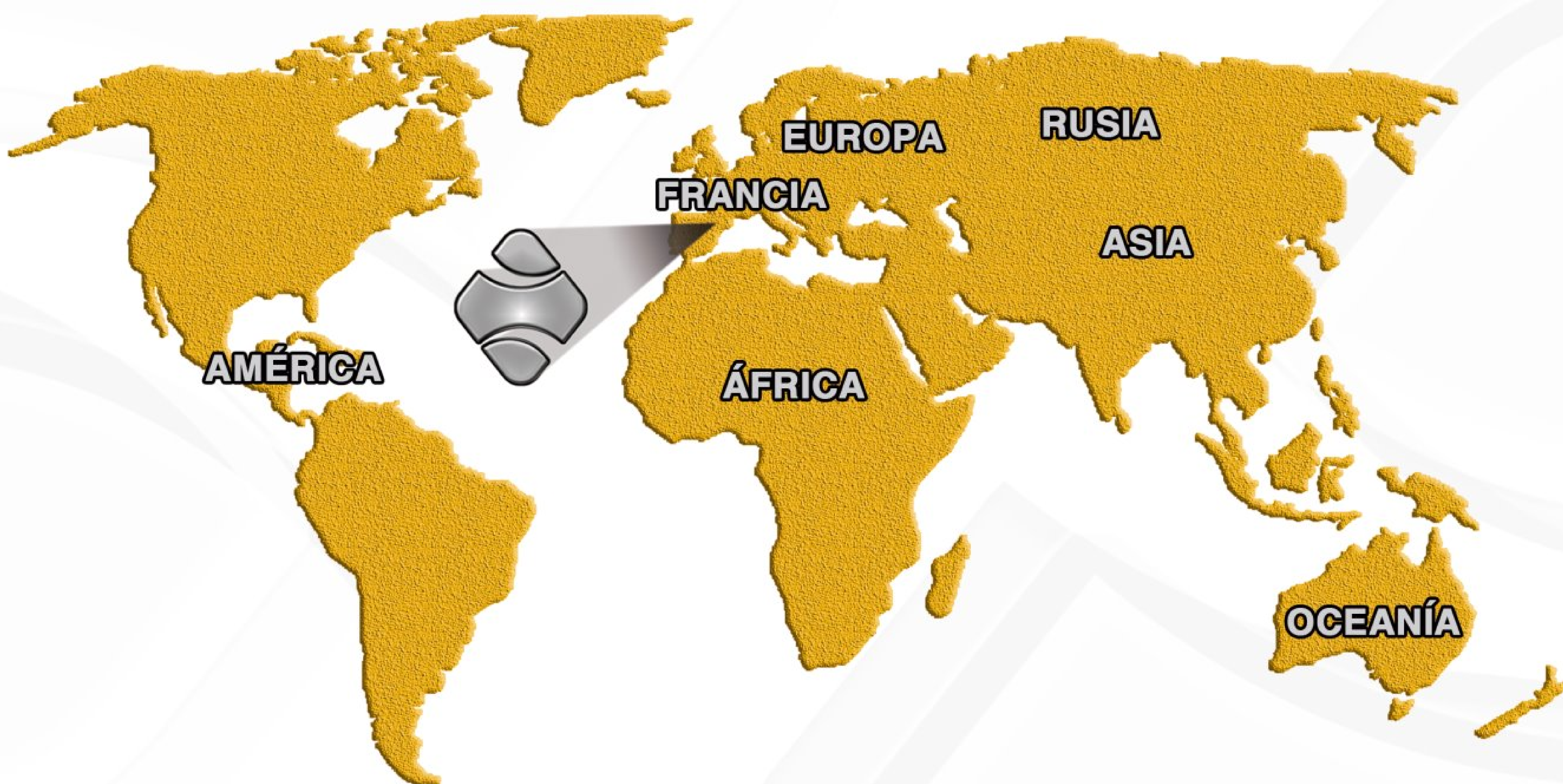
MODELO DE TRACTOR	serie	MODELO DE PALA						serie 300	OBS.
		te7	te8	te9	te10	te20	te30		
160	SPARK T4i						●	B4	
165	RACING						●	B4	
165,7	R6						●	B4	61
175 HI PROFILE	R6 T3						●	B4	
235	R		●					B00	13
350	RUNNER	●						B000	19
450	RUNNER	●						B000	19
550	500				●			B1	
554,5	CRONO				●			B1	
574,60 N	500				●			B1	
574,7	CRONO				●			B1	
574-75 F	CRONO			●				B0	9
575	R			●				B0	
583	500				●			B1	
660	600				●			B1	
660 F	600			●				B0	
660 F PLUS	600			●				B0	
660 PLUS	600			●				B0	
660 V	600			●				B0	
674-70 CROSS	600				●			B1	1
674-70 CROSS (S.T)	600				●			B1	1
674-70 GRAND PRIX	600				●			B2	1
674-70 N	600				●			B1	1
674-70 N (S.T)	600				●			B1	1
674-70 N CROSS (S.T)	600				●			B1	1
674-70 N CROSS (P.B) (S.T)	600				●			B1	1
674-70 N CROSS	600				●			B1	1
674-70 N CROSS (P.B.)	600			●				B1	1
674-70 SPRINT	600				●			B1	1
684-85 SPRINT	600				●			B1	
774-80 G.PRIX (Chasis Recto)	700					●		B2	1-5-24
774-80 G.PRIX (Chasis Curvo)	700					●		B2	1-5

MODELO DE TRACTOR	serie	MODELO DE PALA						serie 300	OBS.
		te7	te8	te9	te10	te20	te30		
774-80 N	700				●			B1	1
774-80 N (S.T)	700				●			B1	1
774-80 NV	700				●			B1	1
774-80 NV (S.T)	700				●			B1	1
775 F	700			●				B0	
775 V	AGILE			●				B0	
775 V (con Antiv. Original)	*			●				*	
775 V	700			●				B0	
850	PREMIUM					●		B2	1-4-42
874-90 G. PRIX LS	800					●		B2	1
874-90 G. PRIX	800					●		B2	1-24
874-90 N	800					●		B2	1
874-95 N	800				●			B1	1
874-95 N (S.T)	700				●			B1	1
880 F	800			●				B0	22-31
880 S	AGILE			●				B0	
880 V	AGILE			●				B0	
950	PREMIUM					●		B2	1-4-42
956	900						●	B3	
990	F PLUS			●				B0	22-31
990 S	AGILE			●				B0	10
990 S	AGILE			●				B0	
1050	PREMIUM					●		B2	1-4-42
1056	1000						●	B3	
1060	PREMIUM					●		B2	
1106	1000						●	B3	
1256	1000						●	B3	
1300	PREMIUM						●	B3	1-22
1300	R5						●	B3	1-22
1306	1000						●	B3	
1506	1000							●	B4

## OBSERVATIONS

- 1 - Specify exhaust pipe type (from bottom up, from top to bottom, side).
- 4 - Specify wheel measures.
- 5 - Specify front axle type.
- 7 - With original three-point, fit an upper arm.
- 9 - Specify if the tractor has a cab of origin.
- 10 - Specify if the tractor has a cab or anti-dump chassis.
- 13 - Specify if the tractor has an auxiliary tank.
- 19 - Shock adsorber is compulsory.
- 22 - Specify motor type.
- 23 - The specified loader model can be adapted without counterweights.
- 24 - State type of chassis.
- 31 - Supplement supply for exhaust pipe modification.
- 42 - Specify front wheels inside width.
- 61 - Specify if the tractor has Open circuit or Closed circuit.





**EXPORT AMERICA / ASIA / OCEANIA**

Contact: Sergio Alonso  
Tels: +34 983 33 80 99  
Fax: +34 983 37 71 60  
Movil: +34 690 13 30 10  
e-mail: [salonso@tenias.com](mailto:salonso@tenias.com)

**EXPORT EUROPE / RUSSIA**

Contact: Victor Dominguez  
Tels: +34 954 51 15 44 / +34 954 51 16 45  
Fax: +34 954 99 90 88  
Movil: +34 670 63 92 59  
e-mail: [vdominguez@tenias.com](mailto:vdominguez@tenias.com)

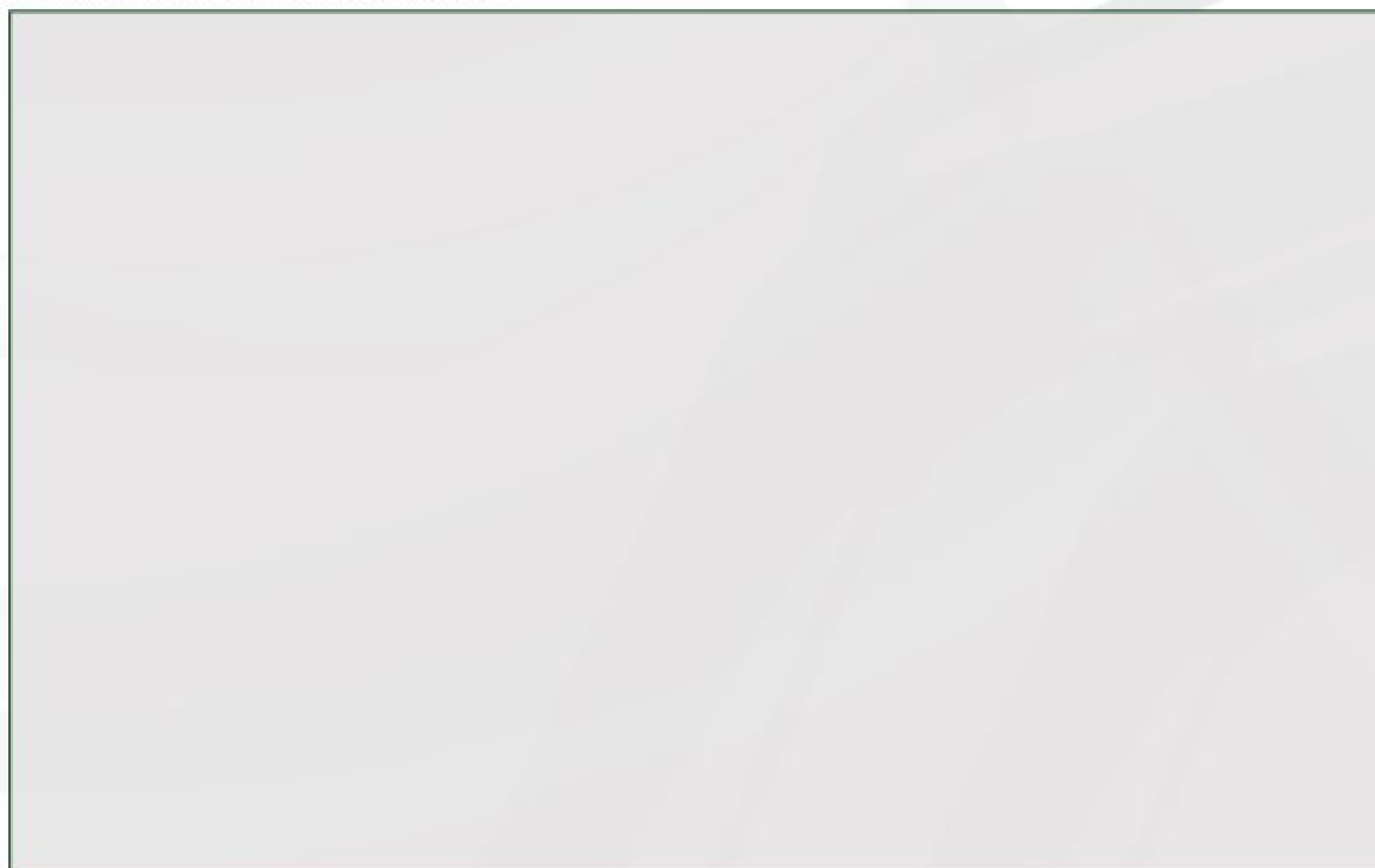
**EXPORT AFRICA / ORIENTE MEDIO**

Contact: Fernando Burgos  
Tel. +34 983 33 80 99  
Fax: +34 983 37 71 60  
Movil: +34 636 97 57 65  
e-mail: [fburgos@tenias.com](mailto:fburgos@tenias.com)

**HEAD OFFICE AND FACTORY**

Pol. Ind. Valdeferrín, c/3 - Pcla. 91  
50600 EJEA DE LOS CABALLEROS (Zaragoza-España)  
Tel. +34 976 67 71 50  
Fax +34 976 66 12 15  
e-mail: [tenias@tenias.com](mailto:tenias@tenias.com) - [www.tenias.com](http://www.tenias.com)

Authorized dealer



**tenías**

**FÁBRICA Y OFICINAS CENTRALES**

Pol. Ind. Valdeferrín, c/3 - Pcla. 91  
50600 EJEA DE LOS CABALLEROS (Zaragoza-España)  
Tel. +34 976 67 71 50  
Fax +34 976 66 12 15  
e-mail: [tenias@tenias.com](mailto:tenias@tenias.com) - [www.tenias.com](http://www.tenias.com)