



tenías

Brochure

*of front loader and implements
for models*



KUBOTA

**DRP System ®
AUTOMATIC LOADER HITCH**



It allows secure and simple loader coupling and uncoupling.

SAFETY VALVES

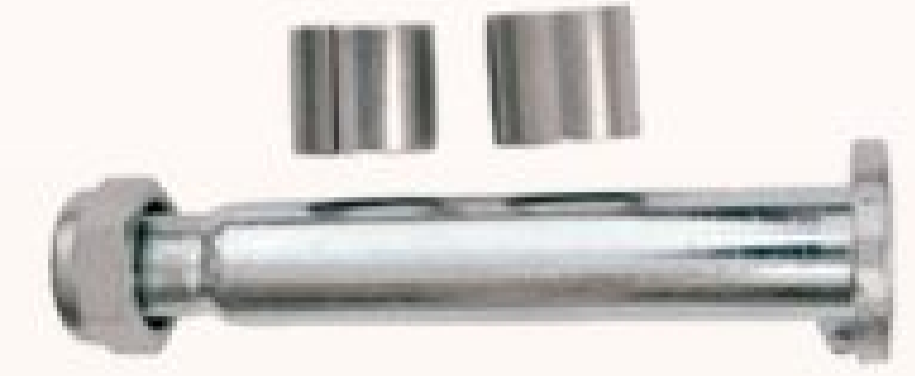


It regulates the pressure of hydraulics cylinders avoiding over pressures and unexpected breakages.

DETAIL INSIDE ARM

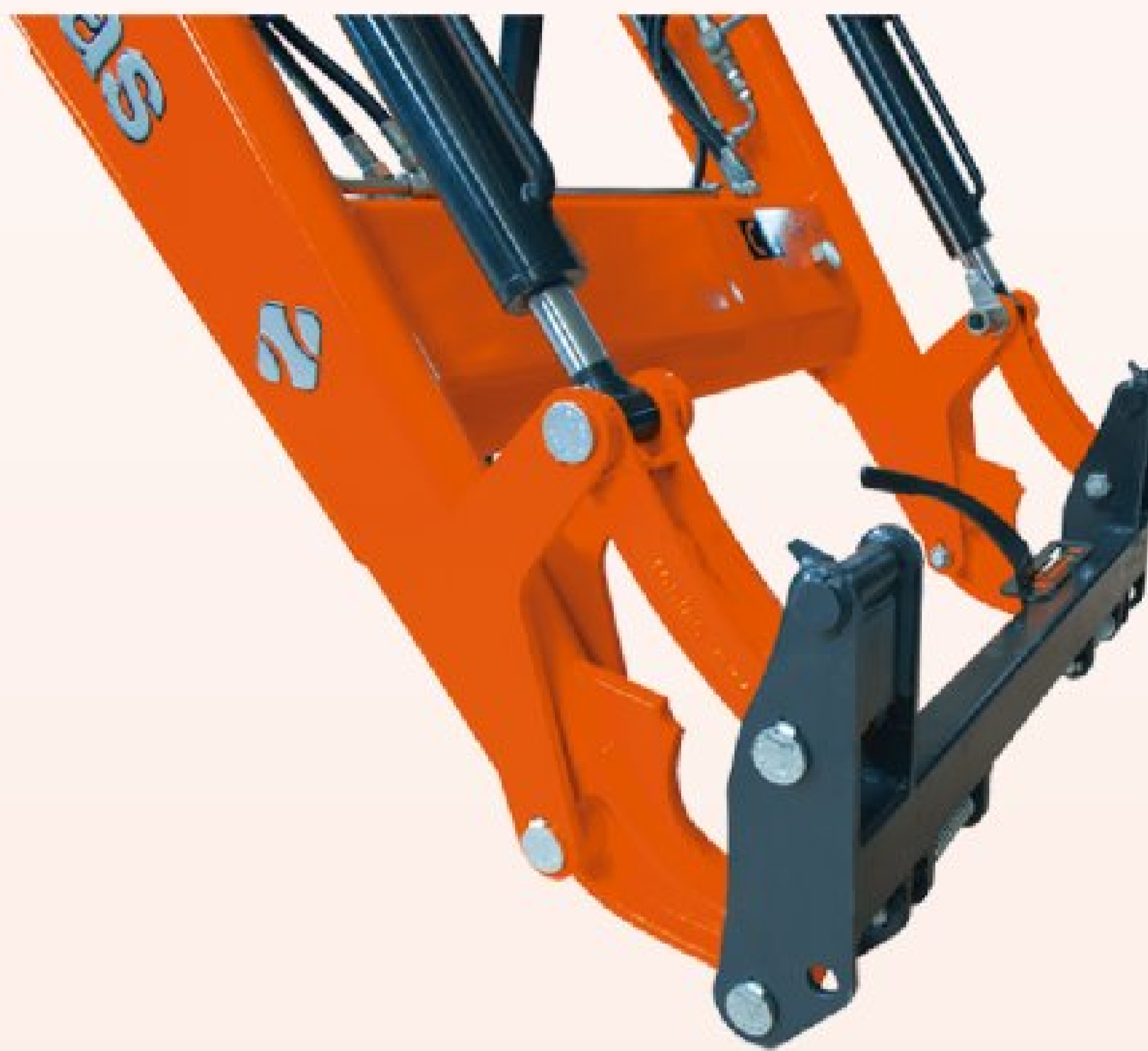


**AUTO LUBRICANT BUSHINGS
IN EACH JOINT**



Bushings in each joint, with greasers in the most problematic areas, ensure the sustainability of the whole.

**DRC System ®
AUTOMATIC HITCH FOR IMPLEMENTS**



Only few seconds are needed to hitch or unhitch implements

DR2B System ® / DR4B System ®



Fast hydraulic plugging with flat tips allowing more cleanliness and plugging with residual pressure.



OPTIONS

**AH System ®
SHOCK ABSORBER**



A good confort is obtained for the user as well as protection for all components during transport.

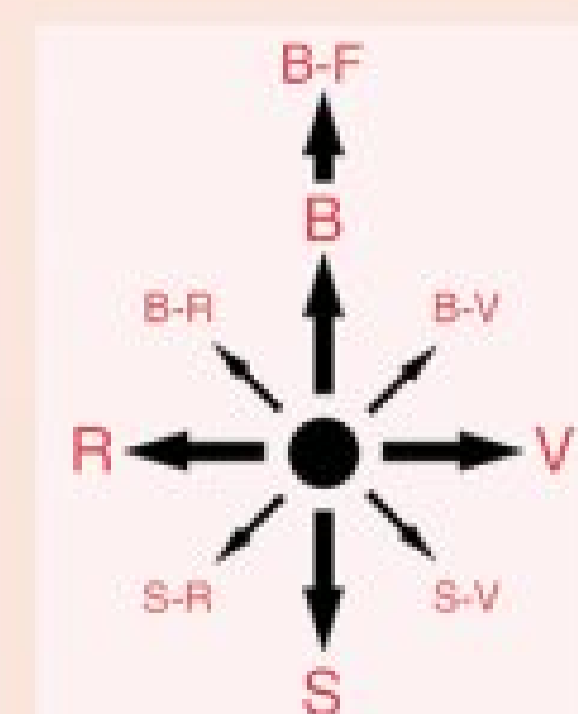
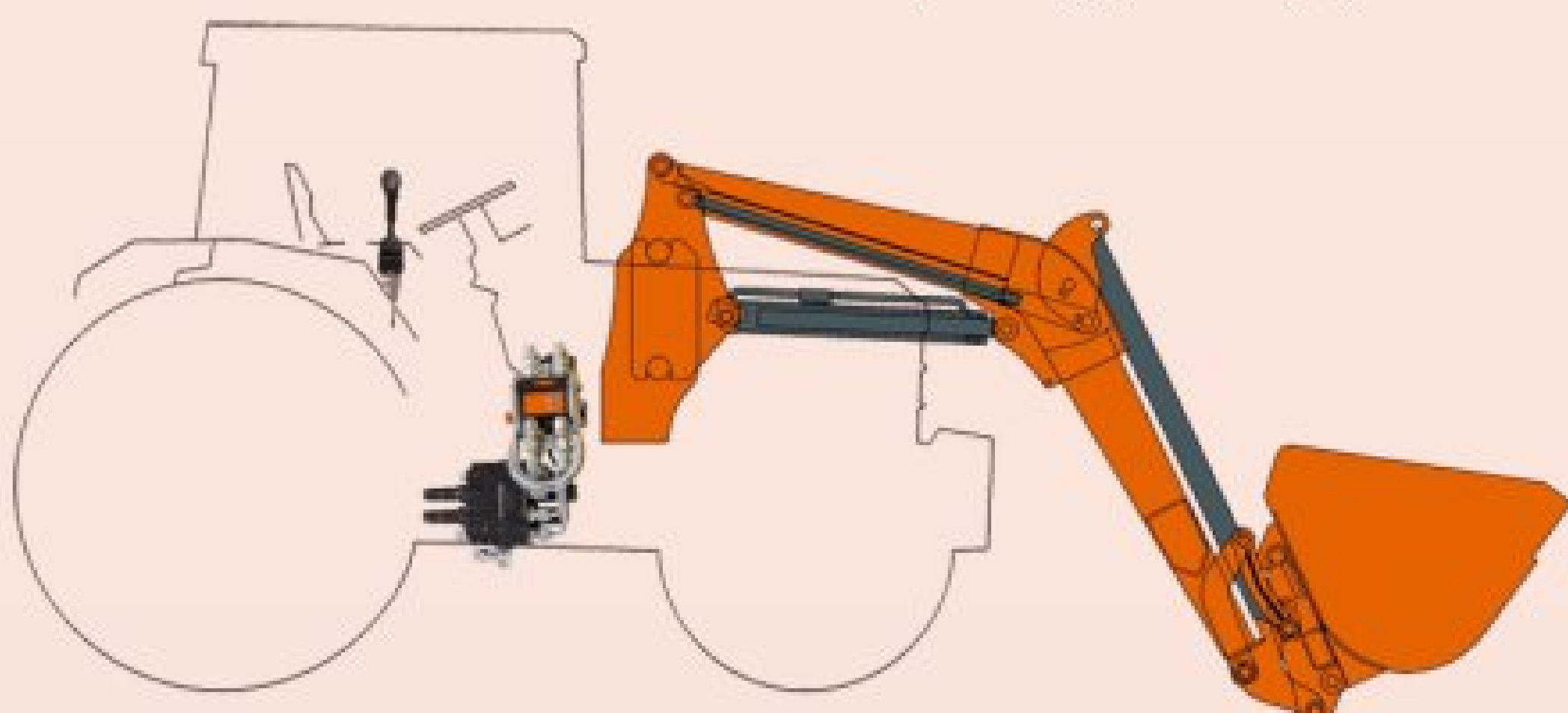


**SERVICE LINE FOR HYDRAULIC
IMPLEMENTS**



**MS System ®
JOYSTICK**

Operating plan for joystick



Operated from a joystick that allows two moves simultaneously.

**PAINT FINISH IN
DIFFERENT COLORS**



serie evolution



SUBFRAME DESIGNED FOR EACH TRACTOR MODEL

It's the loader main part and the basis of its proper functioning. It consists of a set of different pieces distributed from the front of the tractor to its back axle, obtaining an uniform repartition of the efforts.

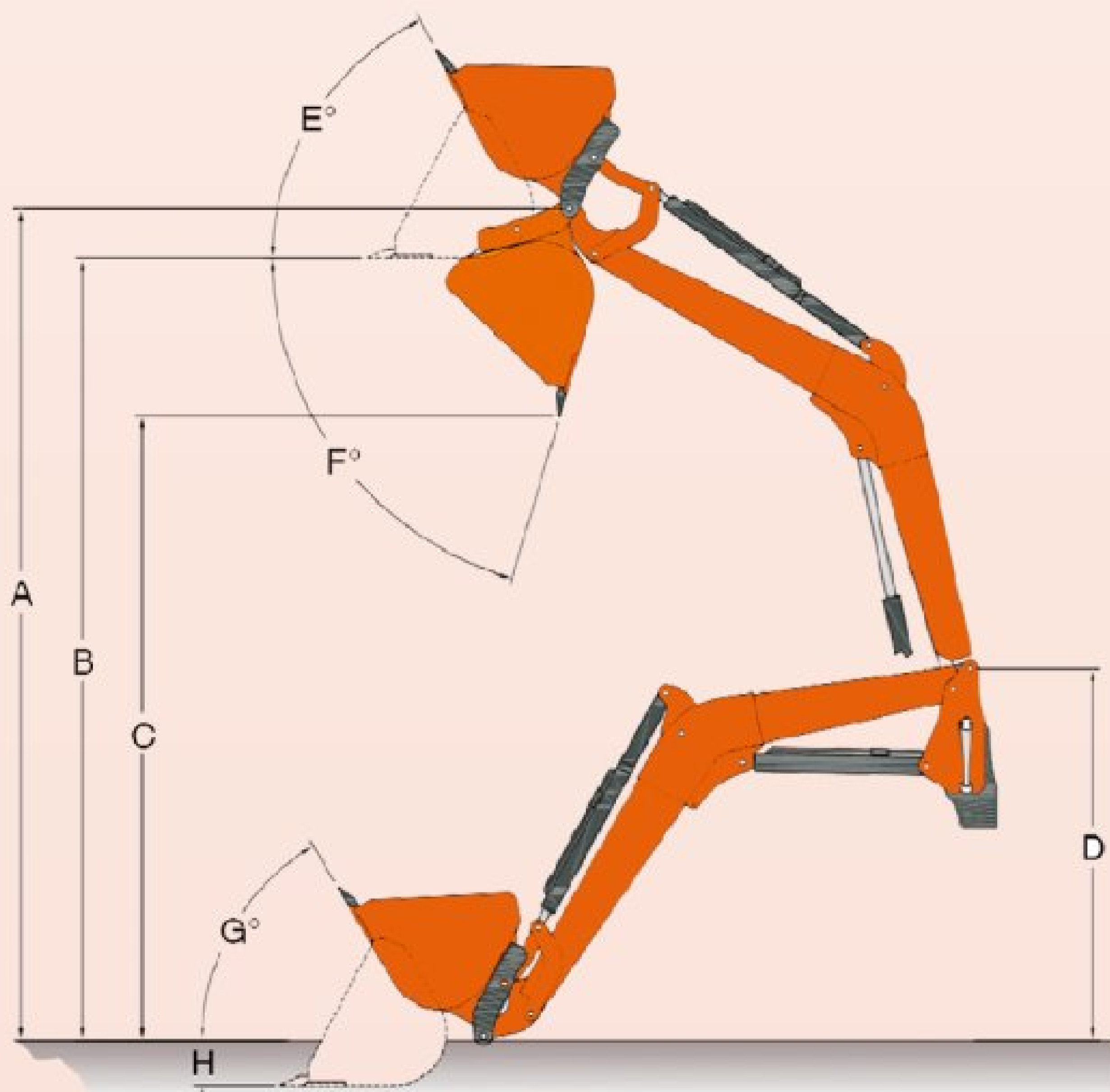
model	te7	te8	te9	te10	te20	te30	te40
-------	-----	-----	-----	------	------	------	------

CONTAIN

- Adaptation
- Arms
- Hydraulic installation (Electrovalve, Distributor or tractor remote control)
- All elements for work (Cylinders, Hoses, Connections, .. etc.)
- DRB standard.

DON'T CONTAIN

- Buckets
- Forks



NOTE: Mesures given can vary according to the tractor model.

Measurements were taken at 190 bar and with a weight placed on pallet fork.

I Start-up power
J Payload at 2,00 mts.
K At max. height

MOD. PALA	A	B	C	D	E	F	G	H	I	J	K
te6	-	-	-	-	-	-	-	-	914 Kgs	-	400 Kgs
te7	2540	2410	1832	1300	55°	78°	49°	149	1024 Kgs	-	724 Kgs
te8	2846	2690	2000	1420	64°	72°	54°	134	1960 Kgs	-	1250 Kgs
te9	3142	2909	2295	1469	64°	75°	57°	211	2044 Kgs	-	1362 Kgs
te10	3720	3484	2887	1706	64°	74°	57°	214	2728 Kgs	2068 Kgs	1628 Kgs
te20	4051	3815	3197	1792	64°	75°	59°	214	2160 Kgs	1824 Kgs	1530 Kgs
te30	4301	4065	3447	1970	62°	74°	57°	214	2858 Kgs	2133 Kgs	1755 Kgs
te40	4564	4327	3708	2140	62°	74°	57°	214	3177 Kgs	2550 Kgs	2215 Kgs

SILAGE SHEARS



WIDTH (mts)	TEETH	GRIP OPENING (mm)	WEIGHT (Kgs)
1,50	13	805	480
1,75	15	805	528

STONE BUCKET



WIDTH (mts)	CAPACITY (liters)	CAPACITY (liters)	WEIGHT
1,75	618	772	284
2,00	707	883	331

MANURE FORK



WIDTH (mts)	TEETH	TINE LENGTH (mm)	WEIGHT (Kgs)
1,50	8	850	163
1,75	9	850	189
2,00	11	850	210
2,20	11	850	258

SUGAR BEET BUCKET



WIDTH (mts)	CAPACITY (liters)	CAPACITY (liters)	WEIGHT
2,00	813	1016	251
2,40	988	1235	326

LOG GRIP



WIDTH (mm)	GRIP OPENING (mm)	CYLINDER INSIDE DIAMETER (mm)	WEIGHT (mm)
1170	930	80	276

HYDRAULIC MANURE FORK



WIDTH (mts)	TEETH	GRIP OPENING (mm)	WEIGHT (Kgs)
1,50	8	1265	297
1,75	9	1265	330
2,00	11	1265	360
2,20	11	1265	410

BUCKET 4 IN 1



WIDTH (mts)	CAPACITY (liters)	CAPACITY (liters)	WEIGHT
1,75	468	585	383
2,00	535	668	438

SILAGE BUCKET "TIBURON"



WIDTH (mts)	CAPACITY (liters)	CAPACITY (liters)	WEIGHT
2,00	1113	1391	520
2,20	1228	1535	542
2,40	1343	1678	570

ROUND BALES FORK



WIDTH (mm)	WIDTH TEETH (mm)	TEETH	WEIGHT (Kgs)
1172	800	2	101

SUGAR CANE GRIP



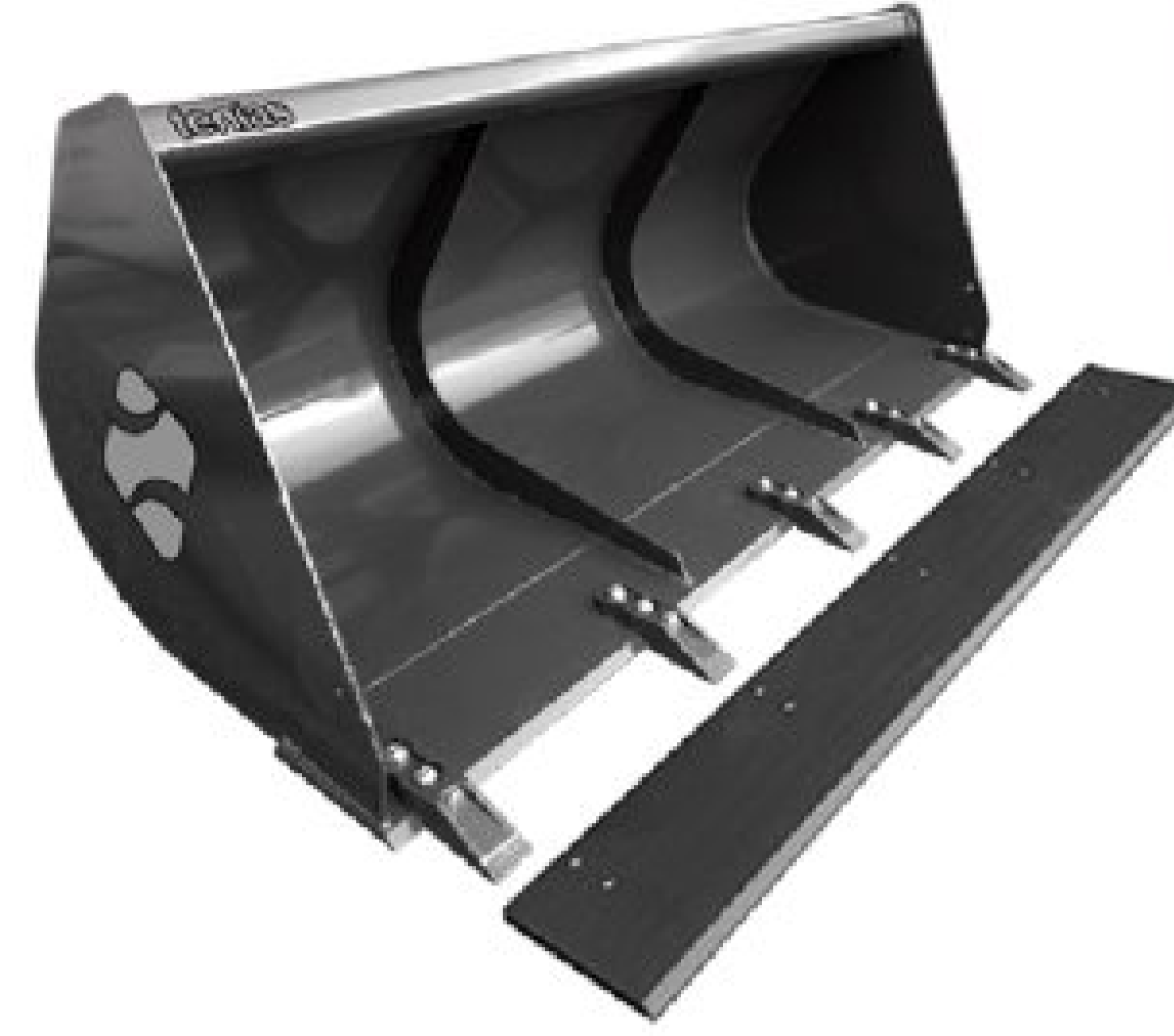
WIDTH (mm)	OUVERTURE PINCE (mm)	GRIP OPENING (mm)	WEIGHT (Kgs)
1195	970	1265	286

POTATO BUCKET



WIDTH (mts)	CAPACITY (liters)	CAPACITY (liters)	WEIGHT
2,20	1103	1378	363
2,40	1217	1521	396

STANDARD BUCKET



WIDTH (mts)	CAPACITY (liters)	CAPACITY (liters)	WEIGHT
1,25	353	441	169
1,50	423	528	199
1,75	494	617	218
2,00	564	705	260
2,20	621	776	269
2,40	677	846	295

PELICAN BUCKET



WIDTH (mts)	TEETH	GRIP OPENING (mm)	WEIGHT (Kgs)
1,50	8	1165	298
1,75	9	1165	320
2,00	11	1165	374
2,20	11	1165	445

GRAIN BUCKET



WIDTH (mts)	CAPACITY (litros)	CAPACITY (litros)	WEIGHT (Kgs)
1,80	812	1015	277
2,00	903	1128	298
2,20	993	1241	319
2,40	1083	1353	340

High-tip option

SILAGE BUCKET



WIDTH (mts)	CAPACITY (liters)	CAPACITY (liters)	WEIGHT
2,00	903	1128	484
2,40	1083	1353	566

SQUARE BALES FORK



WIDTH (mm)	HEIGHT (mm)	TEETH	WEIGHT (Kgs)
1775	1350	5	224

SLIDING SQUARE BALES FORK



WIDTH (mm)	HEIGHT (mm)	TEETH	WEIGHT (Kgs)
1775	1350	5	327

SIDE-SHIFT PALET FORK



ALLOWED WEIGHT (Kgs)	TINE LENGTH (mm)	MAX. TINE WIDTH DENT (mm)	WEIGHT (Kgs)
1500	1225	1060	290

Side Dump option

WRAPPED ROUND BALES GRIP (economic)



WIDTH (mts)	TEETH OPEN (mm)	TEETH CLOSED (mm)	WEIGHT (Kgs)
1,16	2080	70	150

STANDARD PALET FORK



ALLOWED WEIGHT (Kgs)	TINE LENGTH (mm)	MAX. TINE WIDTH DENT (mm)	WEIGHT (Kgs)
1500	1240	1065	173

WRAPPED ROUND BALES GRIP



WIDTH (mm)	TEETH OPEN (mm)	TEETH CLOSED (mm)	WEIGHT (Kgs)
1312	1305	2640	282

MODELO DE TRACTOR	serie	MODELO DE PALA						serie 300	OBS.
		te7	te8	te9	te10	te20	te30		
75	M1					●		B2	
80	M1					●		B2	
85	M1					●		B2	
90	M1					●		B2	
95	M1					●		B2	
95	M					●		B2	
100	M1					●		B2	
105 S / LP	M					●		B2	
108 S	M					●		B2	
110	M1					●		B2	
110 GX	M					●		B2	
120 X	M					●		B3	
125 X	M					●		B3	
128 X	M					●		B3	
128 GX II	M					●		B3	
130	K1						●	B4	
130 X	M					●		B3	16
135 GX	M					●		B3	7
135 GX II	M					●		B3	
150	K1						●	B4	
170	K1						●	B4	
2550	L		●					B00	
3130	L		●					B00	
3250	L	●						B000	19
3300	L		●					B00	
3830	L		●					B00	
4100	L		●					B0	
4200	L	●						B000	19
4630	L		●					B00	
5030	M				●			B1	
5030 F	M			●				B0	
5030 V	M			●				B0	
5040	L			●				B0	
5400 NARROW	M		●					B00	
5400	M				●			B1	
5700	M				●			B1	
5700 Utility Special	M		●					B0	

MODELO DE TRACTOR	serie	MODELO DE PALA						serie 300	OBS.
		te7	te8	te9	te10	te20	te30		
5700	ME			●				B0	
5700 NARROW	M			●				B0	
5700 NARROW S/CAB	ME			●				B0	
6030	M				●			B1	
6030 F	M			●				B0	
6040 H.SHUTTLE	M40				●			B1	
6040 NARROW	M40	●	●					B0	
6060 H.SHUTTLE	M60				●			B1	
6730	M				●			B1	
6800	M				●			B1	
6950	M					●		B2	
7030 F	M			●				B0	
7040 H.SHUTTLE	M40			●	X			B1	
7040 NARROW	M40	●	●					B0	
7060 H.SHUTTLE	M60			●	X			B1	
7580	M					●		B2	
7730	M				●			B1	
7950	M					●		B2	
8200	M			●				B0	
8200 STD	M					●		B2	
8200 NARROW	M			●				B0	
8540	M				●			B1	
8540 NARROW	M			●				B0	4
8540 NARROW (R 300/70 R20)	M			●				B0	
8560 H.SHUTTLE	M				●			B1	
8560 LP	M				●			B1	7
8950	M					●		B2	7
9000	M					●		B2	
9000	ME					●		B2	
9000 LP	ME					●		B2	
9540 NARROW	M			●				B0	4
9540 NARROW (R 300/70 R20)	M			●				B0	
9540	M				●			B1	
9540 LP	M			●	X			B0	
9960 H. SHUTTLE	M				●			B1	7
9960 LP	M				●			B1	7

OBSERVATIONS

- 4 - Specify wheel measures.
- 7 - With original three-point, fit an upper arm.
- 16 - Specify if the tractor has a front hitch of origin.
- 19 - Shock adsorber is compulsory.

Authorized dealer

BUSINESS NETWORK

EXPORT AMERICA / ASIA / OCEANIA

Contact: Sergio Alonso
Tels: +34 983 33 80 99
Fax: +34 983 37 71 60
Movil: +34 690 13 30 10
e-mail: salonso@tenias.com

EXPORT EUROPE / RUSSIA

Contact: Victor Dominguez
Tels: +34 954 51 15 44 / +34 954 51 16 45
Fax: +34 954 99 90 88
Movil: +34 670 63 92 59
e-mail: vdominguez@tenias.com

EXPORT AFRICA / ORIENTE MEDIO

Contact: Fernando Burgos
Tel. +34 983 33 80 99
Fax: +34 983 37 71 60
Movil: +34 636 97 57 65
e-mail: fburgos@tenias.com

HEAD OFFICE AND FACTORY

Pol. Ind. Valdeferrín, c/3 - Pcla. 91
50600 EJE DE LOS CABALLEROS (Zaragoza-España)
Tel. +34 976 67 71 50
Fax +34 976 66 12 15
e-mail: tenias@tenias.com - www.tenias.com



tenias